

N. TESLA.

VALVULAR CONDUIT.

APPLICATION FILED FEB. 21, 1916. RENEWED JULY 9, 1918.

Patented Feb. 3, 1920.

1,329,559.

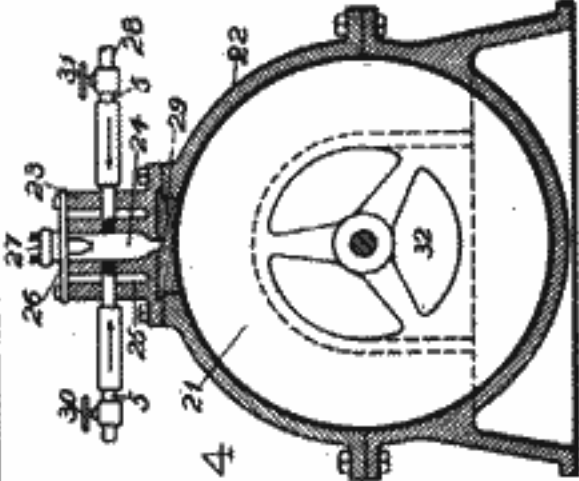
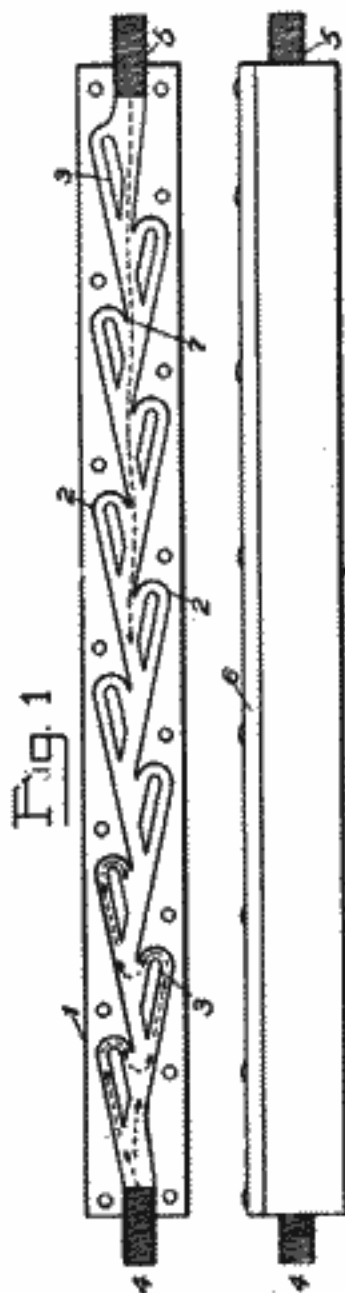
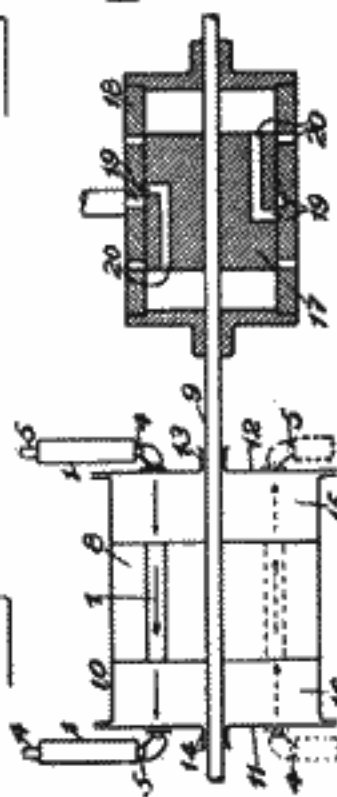


Fig. 3

Fig. 4



INVENTOR

Nikola Tesla

BY
Spencer Page, Leonard & Raymond
ATTORNEY