

1,274,816.

Patented Aug. 6, 1918.

Fig. 1.

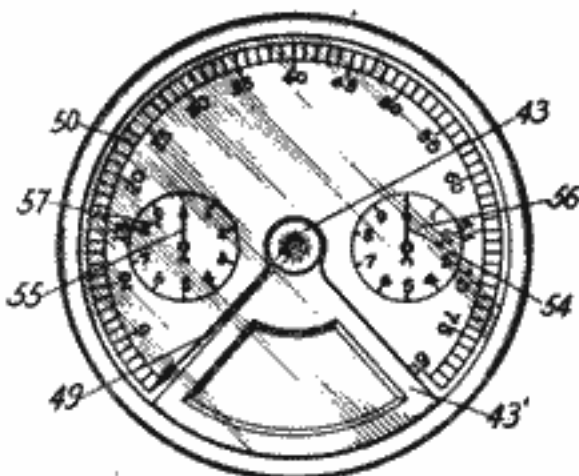


Fig. 3.

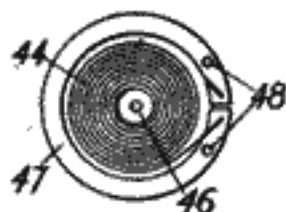


Fig. 2.

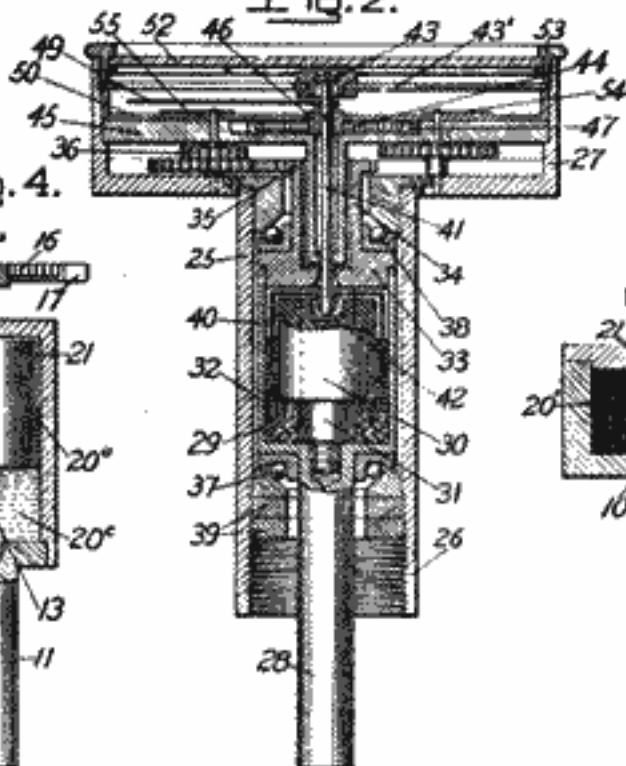


Fig. 4.

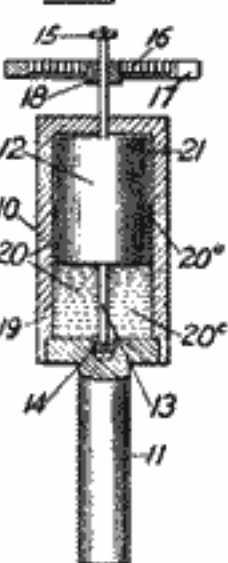
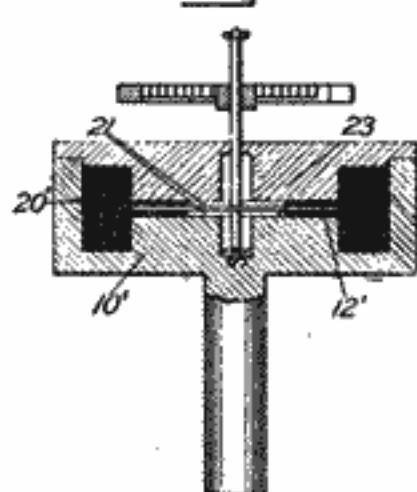


Fig. 5.



Inventor
Nikola Tesla
By his Attorneys
ForeBain & May