

N. TESLA.
TURBINE.

APPLICATION FILED JAN. 17, 1911.

1,061,206.

Patented May 6, 1913.

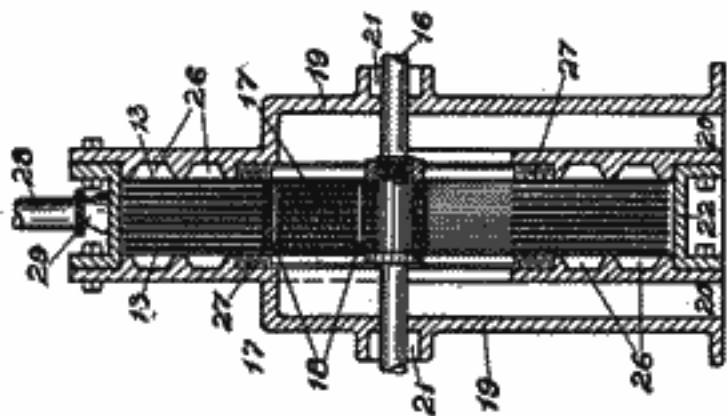


Fig. 2.

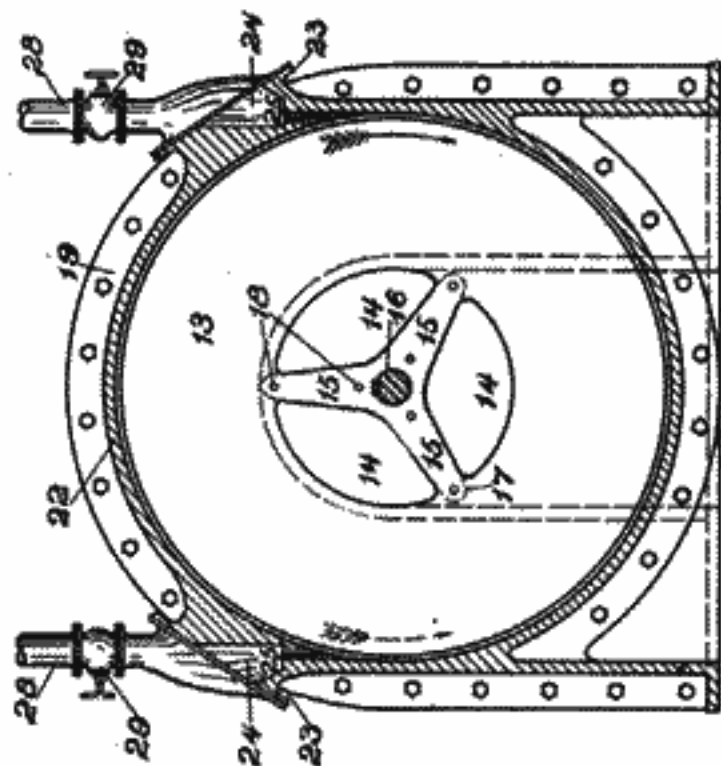


Fig. 1.

Witnesses:

R. Ding Amittage
W. Kohlber

Nikola Tesla, Inventor

By his Attorneys
Newman, Cooper & Hayward