

Fig. 2

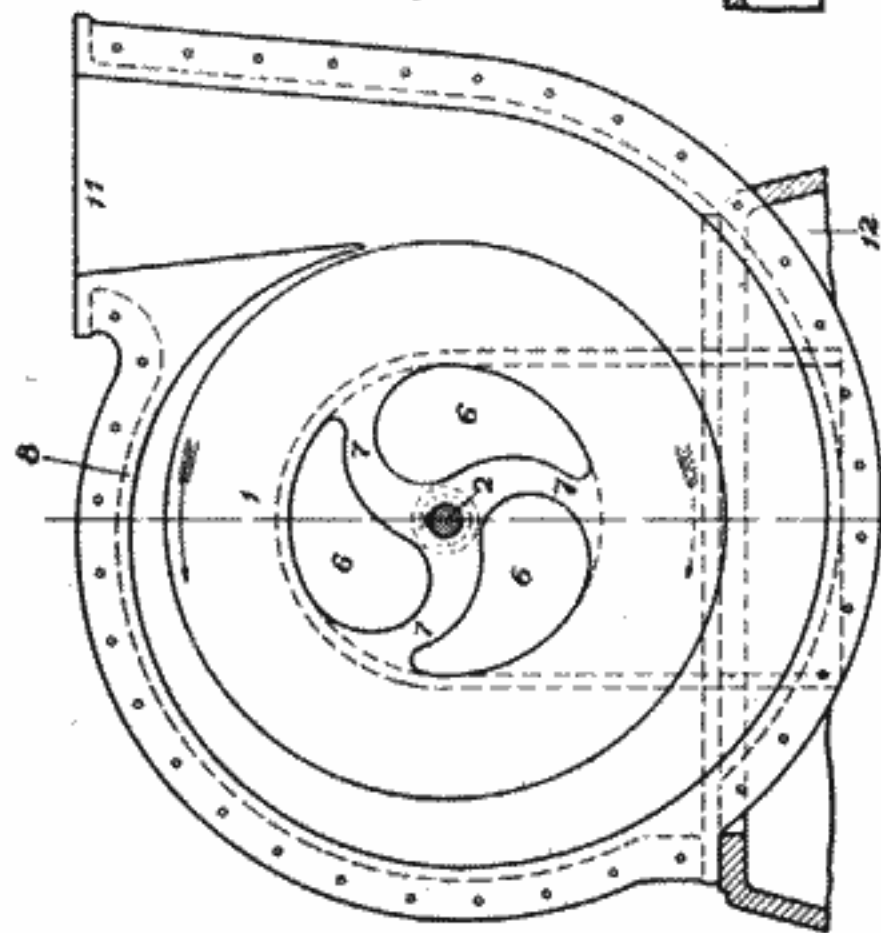


Fig. 1

Witnesses.  
A. Ding Bunting  
S. J. Deaneham

Nikola Tesla,  
Inventor

By the Attorneys  
Kerr, Rice, Gordon & Hayward